

HP DesignJet Z6, Z9+, T1700 and T1708 Printer Series



Date: February 2023

Impact/Severity: Medium

Region: WW

Category/Area: Using Product (Media, Product)

Audience: Support

Confidentiality: Restricted (Service) – HP Workforce + Channel Partners

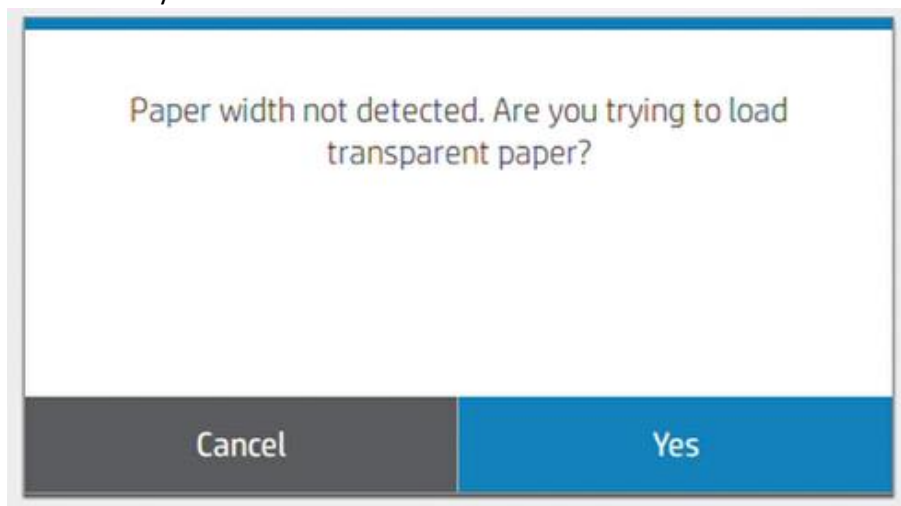
New function – clear film without white liners

With the new firmware release (JGR_09_22_51.1), a new function to support clear film medias without white liners has been developed.

Loading process

To load a roll of clear film without white liners, follow these steps:

1. Carry out the loading process as usual. You don't need to select the clear film media until step nine. Every step is described in the control panel of the printer.
 - a. Open the roll 1 cover.
 - b. Remove the spindle.
 - c. Insert the clear film roll onto the spindle.
 - d. Install the spindle into the printer.
 - e. Guide the paper edge through the path until it is detected by the printer.
2. When the printer detects the insertion of media, it will start the procedure.
 - a. The printer will slightly advance the paper.
 - b. The carriage will move to detect both edges, calculating the width.
3. Since the media will be a clear film without white liners, the printer will advance the paper two more times. The whole process can take a few moments.
4. After failing to detect the paper's width, a message will appear asking if the paper loaded is transparent. Select 'yes'.



- When you select 'yes', the printer will request the width of the paper.

NOTE: It offers both standard measures and a customizable size.

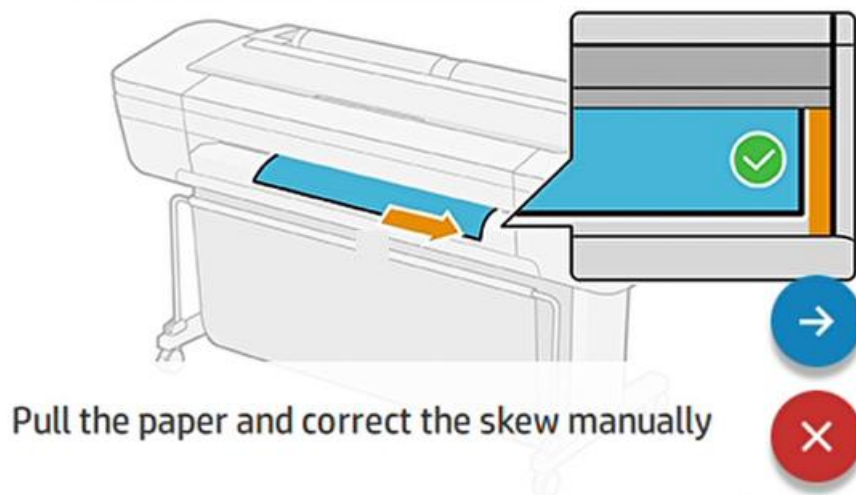
Paper load: Paper width (in mm)

Custom – 210 +

250 mm

594 mm

- It will then advance the paper until it sticks out of the platen, asking the user to carry out a manual alignment to avoid skewing.

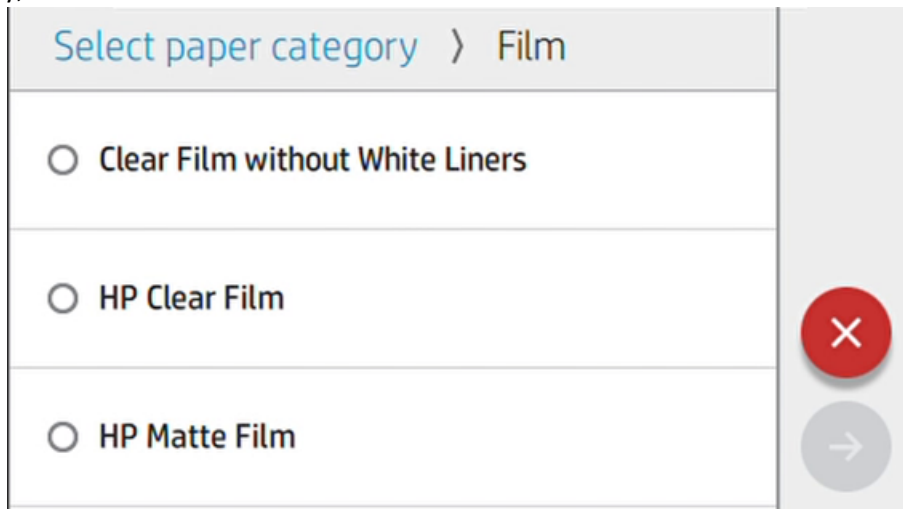


- After finishing the alignment, the printer will cut the media so that the edge is also correctly aligned.

NOTE: This cut generates a loss of around 33 centimeters (13 inches).

To complete the paper alignment, the leading edge of the paper will be cut.

8. After cutting, the printer will rewind the paper to ready position.
9. The printer will prompt you to select the paper profile. The new profile can be found under the film category, with the name 'clear film without white liners'.



10. As a final step, the printer will ask you to close the roll cover.

NOTE: The clear film without white liners can also be loaded onto roll 2; the process is the same as the one described.

Product limitations

When using the clear film without white liners profile for double-roll printers, the printer will not be able to load a second paper onto the second roll.

If you load another paper onto the second roll, the roll with the clear film must be unloaded. You will need to start the process from scratch to load it again, because this media type cannot be placed in parking position.

Applicable products

This new functionality is usable in the following products:

Product Number	Printer
1VD83A	HP DesignJet T1708 44-in Printer
1VD84A	HP DesignJet T1708 44-in PostScript Printer
1VD85A	HP DesignJet T1708dr44-in Printer
1VD86A	HP DesignJet T1708dr44-in PostScript Printer
1VD87A/F	HP DesignJet T1700 44-in PostScript Printer
1VD88A	HP DesignJet T1700dr 44-in PostScript Printer
1VD88B/F	HP DesignJet 1700dr 44-in PostScript Printer TAA Compliant
T8W15A/D	HP Designjet Z6 24-in PostScript Printer
T8W15B	HP DesignJet Z6 24-in PostScript® Printer TAA Compliant
T8W16A/D/F	HP DesignJet Z6 44-in PostScript® Printer
T8W18A/F	HP DesignJet Z6dr 44-in PostScript Printer with v-trimmer
T8W18B	HP DesignJet Z6dr 44-in PostScript® Printer with V-Trimmer TAA Compliant
W3Z71A/D	HP DesignJet Z9+ 24-in PostScript®
W3Z71B	HP DesignJet Z9 24-in PostScript® Printer TAA Compliant
W3Z72A/F	HP DesignJet Z9+ 44-in PostScript®
W6B55A	HP DesignJet T1700 44-in Printer
W6B56A	HP DesignJet T1700dr 44-in Printer
W6B56B	HP DesignJet T1700dr 44-in Printer TAA Compliant
X9D24A	HP DesignJet Z9dr 44-in PostScript® Printer with V-Trimmer
X9D24B/F	HP DesignJet Z9dr 44-in PostScript® Printer with V-Trimmer TAA Compliant